

**Forced convection unit air cooler - flatline**

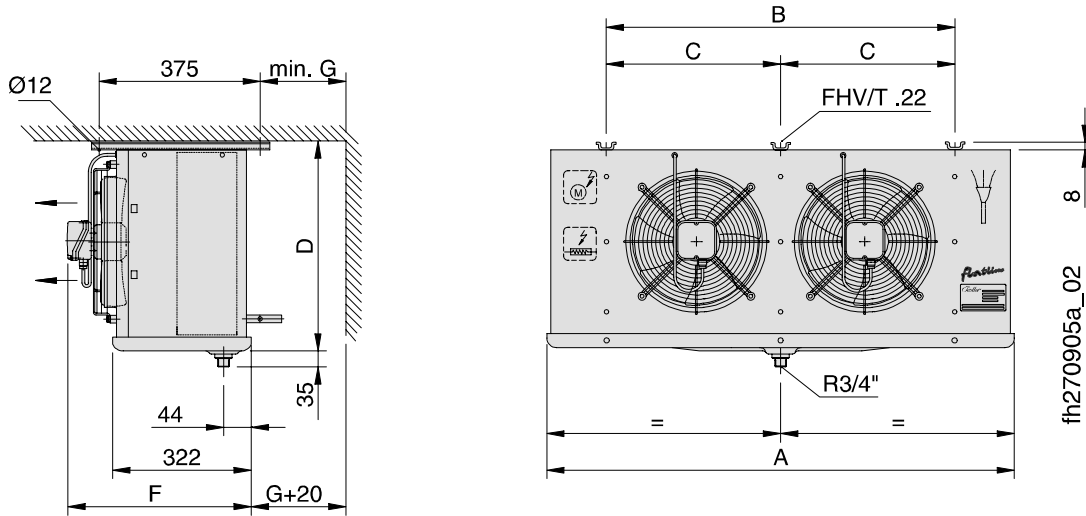
**FHVT 412**

Place of cooling:

Walter Roller GmbH & Co.  
Lindenstraße 27-31  
D - 70839 Gerlingen  
Phone: +49 (0)7156 2001 - 0  
Fax.: +49 (0)7156 2001 26



Version 5.5.2  
18.11.2004



**Dimensions, Tube volumes, Weights**

Dimensions								Tube vol. [dm³]	Weight [kg]	Connections	
A [mm]	B [mm]	C [mm]	D [mm]	E [mm]	F [mm]	G [mm]	H [mm]			Inlet Ø [mm]	Outlet Ø [mm]
1094	812		460		430	200		4.30	32	12.0 #	22.0

#: Multiple injection with Schrader valve at the outlet

**Electrical loads**

No.	Blade Ø [mm]	Power supply [ V, Hz ]	Input capacity [W]	Current [ A ]	No. of re- volutions [ min <sup>-1</sup> ]	Electric defrost heating			El. aircondition	
						Coil [W]	Drip [W]	Total [W]	[W]	Total [W]
2	300 S	~230 V 50/60 Hz	80/112	0,36/0,48	1340/1460	3x730	1x730	2920		

**Capacity data**

	Refrigerant	Capacity P <sub>e</sub> [kW]	Evapora- tion t <sub>e</sub> [°C]	Air inlet t <sub>A1</sub> [°C]	DT1 [K]	Sur- face [m²]	Air capacity [m³/h]	Air throw [m]	Sound power [ dB(A) ]	Fin spacing [mm]
Result	R404A	3.66	-6.0	0.0	6.0	19.8	3000	7	71	4.0

**Prices and accessories**

FHVT 412	

Price per unit:

inkl. mat. surcharges, without VAT

